

brand	<b>McCulloch; Partner</b>
-------	---------------------------

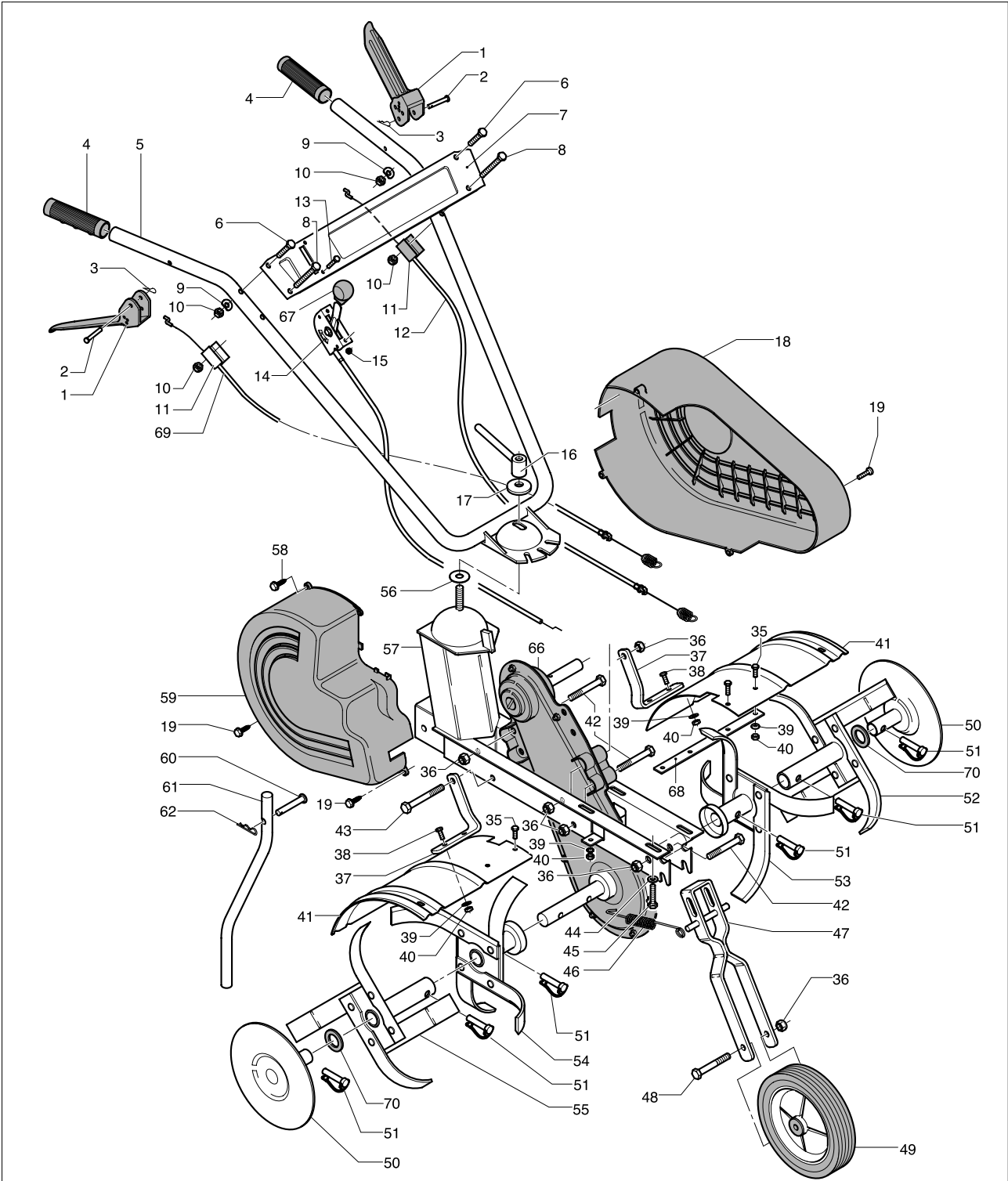
date	2002-01	SHEET 1/5
------	---------	-----------

Model

<b>MPT 55R</b>
<b>FT5054RB</b>

Product number

<b>9538783-18 McCulloch</b>
<b>9538781-12 Partner</b>



brand	<b>McCulloch; Partner</b>
-------	---------------------------

date	2002-01	SHEET 2/5
------	---------	-----------

<b>MPT 55R; FT5054RB</b>
--------------------------

Pos	PN ELX	PN MEP	Q.ty	Note	Pos	PN ELX	PN MEP	Q.ty	Note
1	531 20 54-22	10128683	2		50	531 20 74-76	10660003	2	
2	531 20 74-09	10651400	2		51	531 20 86-34	20500910	6	
3	531 20 74-08	10651300	2	1.1x17	52	531 20 74-64	10658603	1	
4	531 20 71-31	10500033	2		53	531 20 75-07	10673403	1	
5	531 20 75-72	10685001	1		54	531 20 75-06	10673303	1	
6	531 20 74-41	10655200	2	TE M6x40 UNI 5737-8,8-ZB	55	531 20 74-63	10658503	1	
7	531 20 75-18	10679703	1		57	531 20 75-59	10683901	1	
8	531 20 50-11	10118600	2	TE M6x50 UNI 5737-8.8 ZN	58	531 20 82-16	20135720	1	TCTC 2F D.5x16 AC
9	531 20 49-61	10115900	2	6,5E	59	531 20 75-29	10681903	1	SX
10	531 20 84-91	20281800	4	M6 H8 UNI7473-ZB	60	531 20 74-06	10651100	1	
11	531 20 80-43	20121983	2		61	531 20 75-50	10683700	1	
12	531 20 75-66	10684600	1	TECNAMOTOR HONDA	62	531 20 86-57	20501290	1	D.2
13	531 20 72-70	10547300	2	TE M5x12 UNI 5739-8,8-ZB	66	531 20 75-16	10679303	1	Z.8/Z.40
14	531 20 75-82	10685800	1	TECNAMOTOR	67	531 20 69-70	10303403	1	
14	531 20 71-09	10425200	1	HONDA	68	531 20 76-00	10687803	1	
15	531 20 86-61	20501380	2	M5 H5 UNI5587-6S ZB	69	531 20 75-65	10684500	1	
16	531 20 75-08	10673700	1		70	531 21 10-04	10690423	2	D38X24,5X10
17	531 20 75-09	10674100	1						
18	531 20 75-23	10681103	1						
19	531 20 71-20	10427400	4	TE FR TC 4,8x13					
35	531 20 86-60	20501370	4	TE M6x20 UNI 5739-8,8-ZB					
36	531 20 71-61	10501160	5	M10 H12 UNI7473-ZB					
37	531 20 74-20	10652303	2						
38	531 20 87-69	20655100	2	TE M6x16 UNI 5739-8,8-ZB					
39	531 20 84-99	20286606	6	D.6E					
40	531 20 71-65	10501200	6	M6 H6 UNI 5587-6S-ZB					
41	531 20 75-36	10682001	2						
42	531 20 74-16	10652000	3	TE M10x75 UNI5737-8,8-ZB					
43	531 20 75-11	10677400	1	TE M10x85 UNI5737-8,8-ZB					
44	531 20 49-22	10114200	8	8x16x1,5 ZB					
45	531 20 70-44	10390800	4	TE M8x40 UNI 5737-8,8-ZB					
46	531 20 75-62	10684100	1						
47	531 20 75-45	10682903	1						
48	531 20 75-76	10685200	1	TE M10X80 UNI5737-8.8ZB					
49	531 20 75-83	10685903	1	D.200/40					

brand	Partner
-------	---------

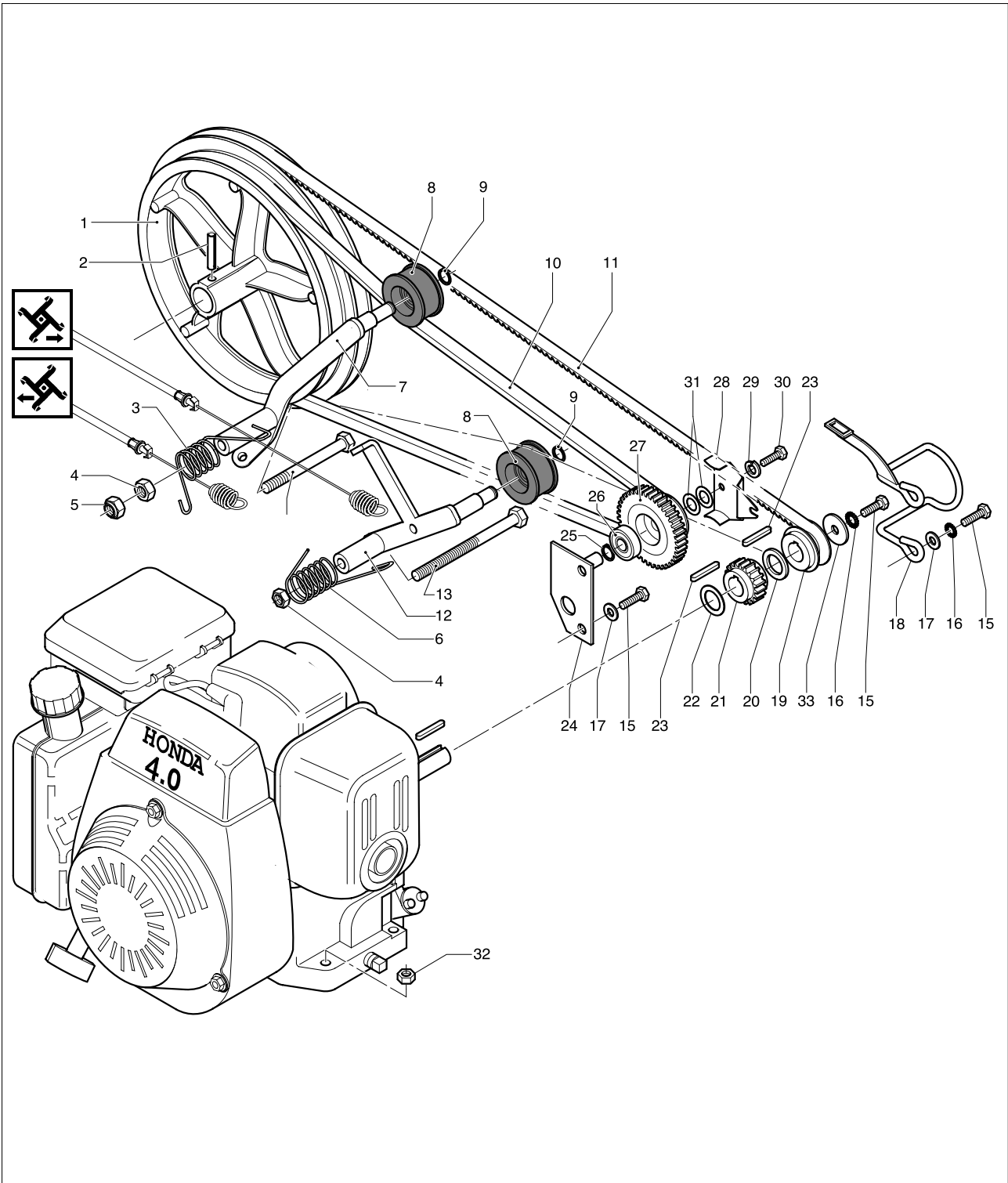
date	2002-01	SHEET 3/6
------	---------	-----------

Model

<b>FT5054RB</b>

Product number

<b>9538781-12</b>



brand	<b>Partner</b>
-------	----------------

date	2002-01	SHEET 4/6
------	---------	-----------

<b>FT5054RB</b>
-----------------

Pos	PN ELX	PN MEP	Q.ty	Note
1	531 20 74-88	10670100	1	D.272
2	531 20 84-04	20228214	1	D.6x40
3	531 20 75-64	10684300	1	
4	531 20 79-78	20101700	2	M10 H8 UNI 5588-6S ZB
5	531 20 71-61	10501160	2	M10 H12 UNI7473-ZB
6	531 20 75-63	10684200	1	
7	531 20 75-24	10681200	1	
8	531 20 44-30	09128633	2	
9	531 20 87-72	20655800	2	D.12E DIN 471
10	531 20 74-31	10654400	1	AX 45 (13x8,5) 1143 K
11	531 20 75-10	10674600	1	Z40
12	531 20 75-22	10680700	1	
13	531 20 74-26	10653700	1	M10x130x88 SPEC
14	531 20 50-05	10118000	1	TE M10x100 UNI5737-8.8ZN
15	531 20 74-30	10654300	5	TE 5/16"UNF x 5/8"(=16mm)
16	531 20 79-81	20106200	3	D.8E DIN 6798
17	531 20 49-22	10114200	4	8x16x1,5 ZB
18	531 20 75-78	10685400	1	
19	531 20 75-03	10671900	1	D.45
20	531 20 75-94	10687000	1	D.19,5/30/4
21	531 20 75-86	10686100	1	Z19
22	531 20 67-25	10300160	1	ITT 20,2x30x1
23	531 20 74-32	10654500	2	4,75x4,75x23 UNI 92
24	531 20 75-85	10686000	1	
25	531 20 75-24	10681200	1	
26	531 20 87-65	20654000	2	6201/2RS
27	531 20 75-87	10686200	1	
28	531 20 75-89	10686400	1	
29	531 20 75-95	10687100	1	D.6
30	531 20 86-12	20480900	1	TE M6x12 UNI 5739-8,8-ZB
31	531 20 75-88	10686300	2	D.12.5/21/0.5
32	531 20 85-99	20404900	4	M8
33	531 20 55-52	10135380	1	

brand	<b>McCulloch</b>
-------	------------------

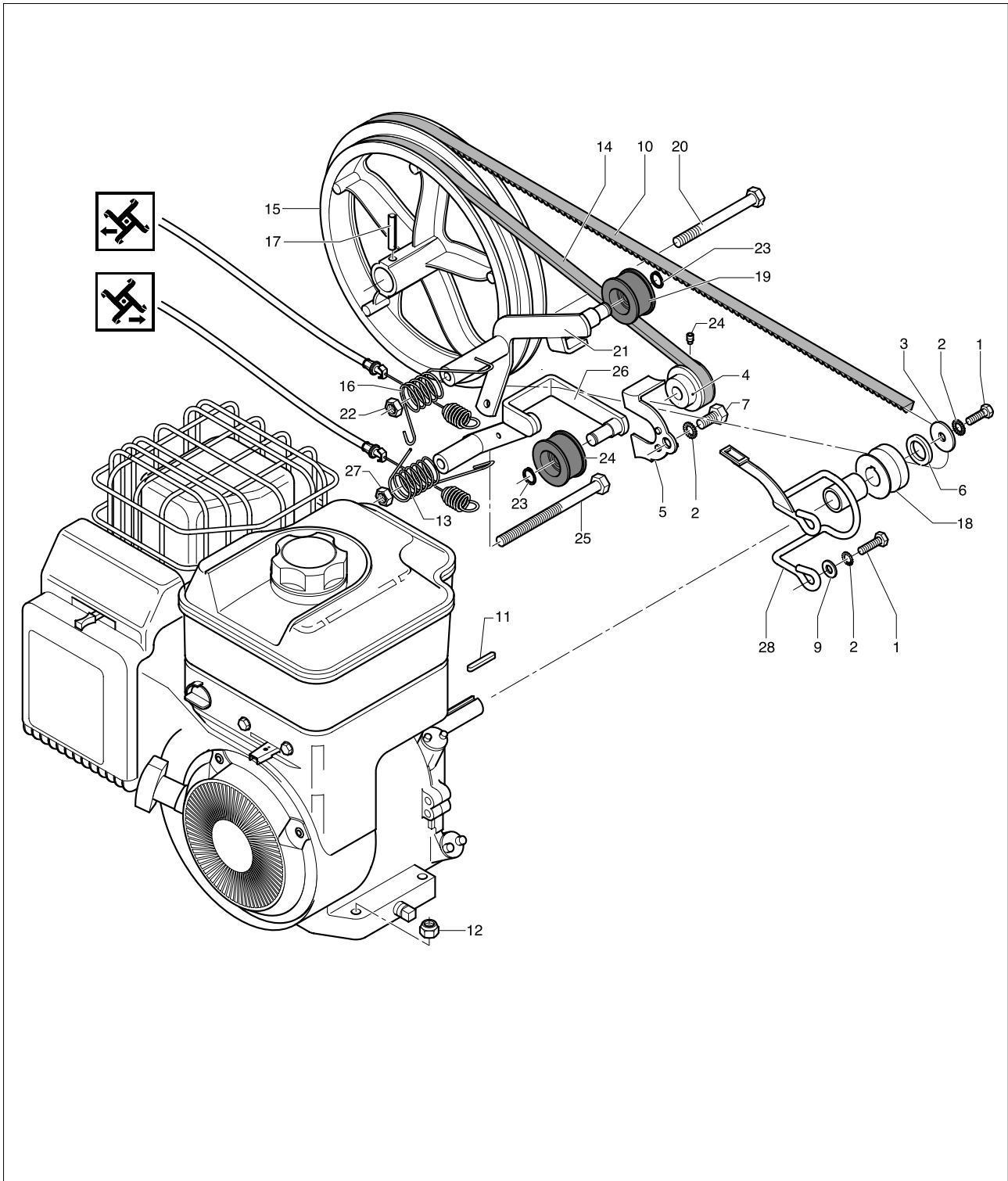
date	2002-02	SHEET 5/6
------	---------	-----------

Model

<b>MPT 55R</b>

Product number

<b>9538783-18</b>



brand	<b>McCulloch</b>
-------	------------------

date	2002-02	SHEET 6/6
------	---------	-----------

<b>MPT 55R</b>
----------------

Pos	PN ELX	PN MEP	Q.ty	Note
1	531 20 75-96	10687300	3	TE 5/16" UNF X 3/4"
2	531 20 79-81	20106200	4	D.8E DIN 6798
3	531 20 55-52	10135380	1	8x30x3ZP
4	531 20 75-94	10687000	1	D.19,5/30/4
5	531 20 76-02	10688000	1	
6	531 20 75-03	10671900	1	D.45
7	531 20 74-30	10654300	1	TE 5/16"UNF x 5/8'(=16mm)
8	531 20 75-97	10687400	1	M5x8 UNI59
9	531 20 49-22	10114200	2	8x16x1,5 ZB
10	531 20 76-16	10689500	1	Z 39 (10x1000LI)
11	531 20 74-32	10654500	1	4,75x4,75x23 UNI 92
12	531 20 85-99	20404900	1	M8 H10 UNI7473-ZB
13	531 20 75-63	10684200	1	
14	531 20 74-31	10654400	1	AX 45 (13x8.5) 1143 K
15	531 20 74-88	10670100	1	D.272
16	531 20 75-64	10684300	1	
17	531 20 84-04	20228214	1	D.6x40
18	531 20 76-17	10689600	1	D.19/25/31H MM
19	531 20 44-30	09128633	2	
20	531 20 50-05	10118000	1	TE M10x100 UNI5737-8.8ZN
21	531 20 76-11	10688500	1	
22	531 20 79-78	20101700	1	M10 H8 UNI 5588-6S ZB
23	531 20 87-72	20655800	2	D.12E DIN 471
25	531 20 74-26	10653700	1	M10x130x88 SPEC
26	531 20 76-12	10688600	1	
27	531 20 86-58	20501310	2	M10 H10 UNI 5587-6S-ZB
28	531 20 75-78	10685400	1	